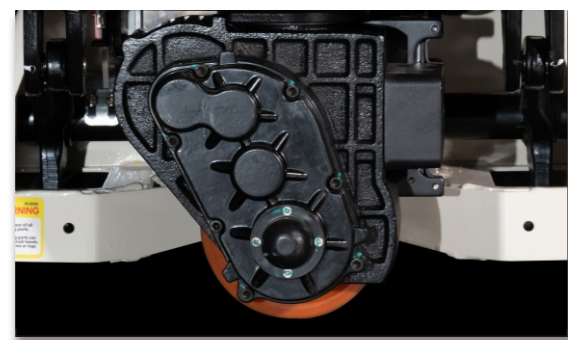


**Low Cost Of Use**

No need to replace the carbon brush due to the design of brushless motor and control system



**Quick Maintenance**

It only takes 5 minutes to change the gearbox and controller



No.1 Jinxin Road, Fuyang, Hangzhou, China  
Sales Hotline 86-571-28037691 E-mail angela@maxforklift.com

All rights reserved.  
If you have any questions, please contact us



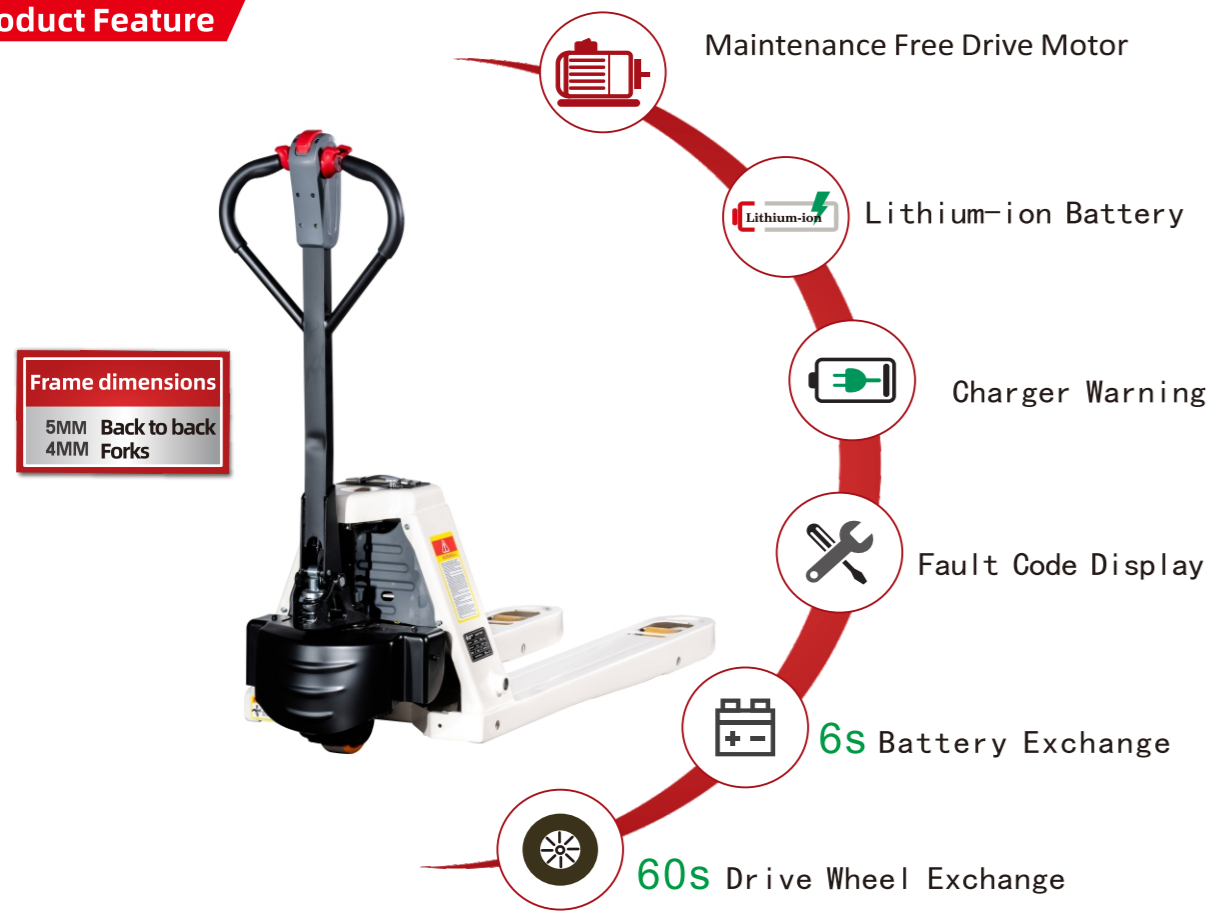
# LITHIUM-ION POWERED PALLET TRUCK PT20

www.maxforklift.com



LITHIUM-ION POWERED PALLET TRUCK

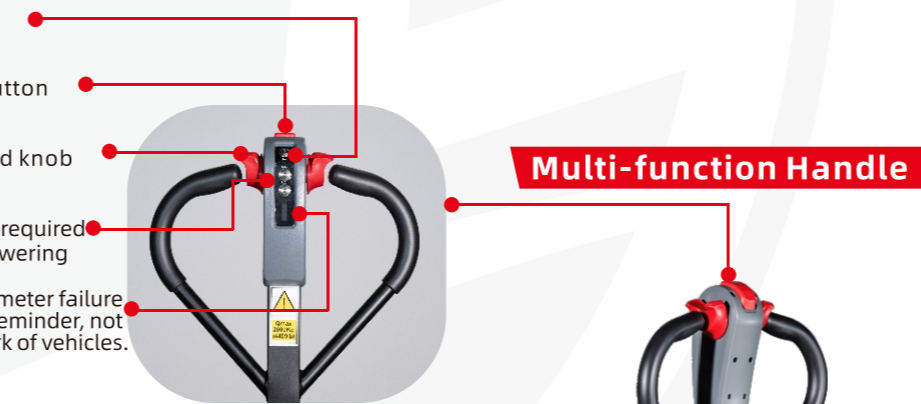
Product Feature



LITHIUM-ION POWERED PALLET TRUCK

Product Feature

- Trumpet
- Emergency reverse button
- Forward and backward knob
- No manual operation is required for electric lifting and lowering
- LCD screen power hour meter failure code display charging reminder, not used for the normal work of vehicles.



Multi-function Handle

Lithium Battery Pack

- 48V / 15Ah Lithium



Practical Functions



⚠ The upright walking mode is turned on, the vehicle will walk when the knob is operated at any handle position, please avoid misoperation.  
 ⚠ The forklift release shall be used only for the movement of vehicles in an emergency and shall not be used for the normal operation of vehicles.

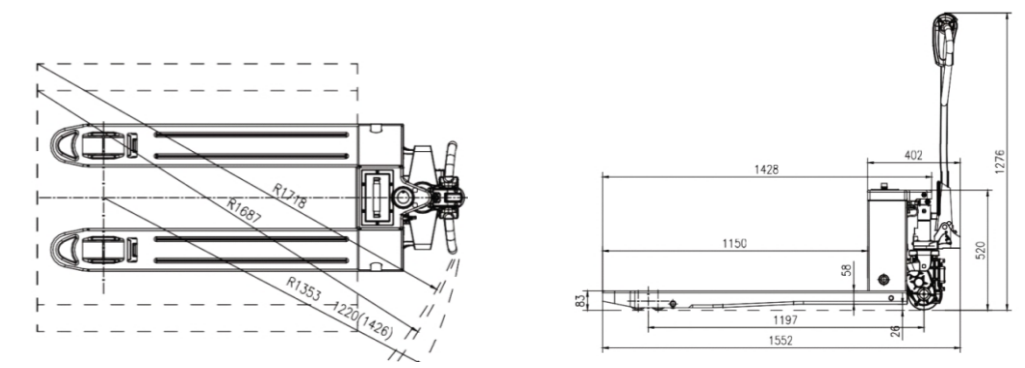
LITHIUM-ION POWERED PALLET TRUCK

Specification parameter table

Models		PT20
Drive		Electric
Operator type		Pedestrian
Load capacity/rated load	Q(kg)	2000
Load centre	C(mm)	600
Height, fork lowered	h13(mm)	82 ± 2
Wheelbase	Y(mm)	1197/1267
Wheel		PU
Wheel size, front	mm	φ 140*55
Wheel size, rear	mm	φ 80*93(single wheel) φ 80*70(double wheel)
Wheels, number front/rear (x = driven wheels)		1x+2/4
Lift	h3(mm)	115
Height of tiller in drive position, min./max.	h14(mm)	740/1220
Overall length	l1(mm)	1552/1622
Fork Length	l2(mm)	1150/1220
Width over forks	b1(mm)	550/685
Fork dimensions	s/e/l(mm)	58/160/1150(1220)
Overall fork width	b5(mm)	550/685
Ground clearance, centre of wheelbase	h1(mm)	22/137(24/139)
Aisle width for pallets 1000x1200 crossways	Ast(mm)	2155/2226
Aisle width for pallets 800x1200 lengthways	Ast(mm)	2024/2064
Turning radius	Wa(mm)	1353/1426
Travel speed, with/without load	Km/h	4.0/4.5
Lifting speed, with/without load	mm/s	15/24
Lowering speed, with/without load	mm/s	40/30
Max. gradeability, with/without load	%	6%/20%
Drive motor	KW	1.0KW
Lift motor	KW	0.6KW
Battery voltage/nominal capacity	V/Ah	48V/15Ah
Traveling brake		Regenerate
Brake		Electromagnetic
Sound level at the driver's ear according to EN 12053	dB(A)	<70dB
Service weight including battery	Kg	120.5

LITHIUM-ION POWERED PALLET TRUCK

Specifications



Single/double polyurethane Load wheel



option quick charge (2 hours)



Drive Shield (of iron)